

# Kopplingschema Signature BP Box

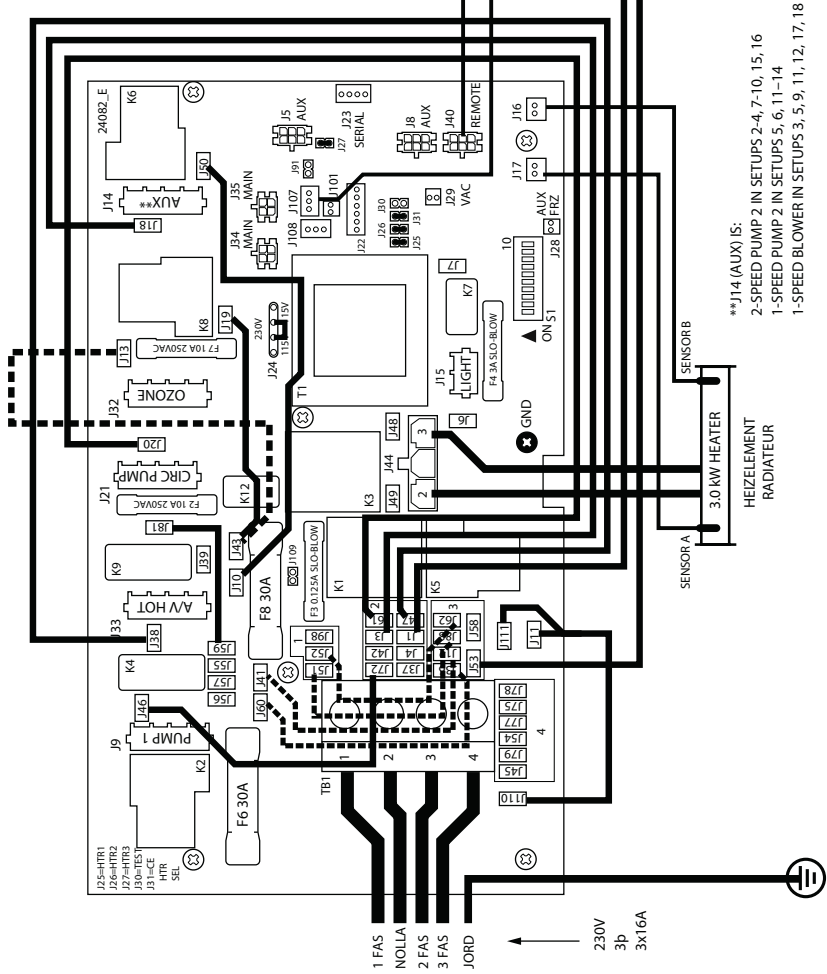
Ta bort bygel J60 - J36 / J41 - J12 / J51 - J88 / J52 - J62  
 Sätt bygel mellan J60 - J79 (Plint 2) samt J41 - J54 (Plint 3)

SINGLE SERVICE 230V 1p / 1x32A, THREE-SERVICE 230V 1p / 3x16A

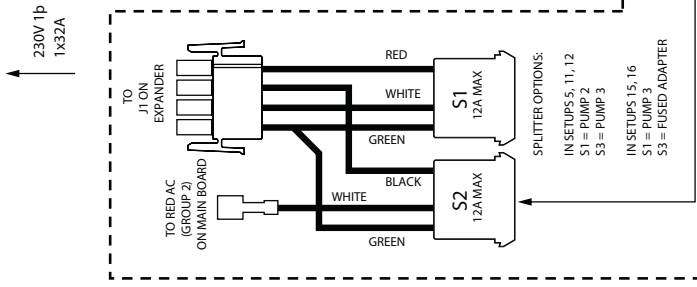
LOCATION	DEVICE
J9	NETZSTROMVERSORGUNG 2-GESCHW.-PUMPE 1 ALIMENTATION POMPE 1 A 2 VITESSES 2-SPEED PUMP 1
J14	AUX**
J15	AUX LINE 1 CONNECTION J19 to J43
J21	TOV BELEUCHTUNG ECLAIRAGE BAIN HYDRO SP LIGHT
J21	KREISLAUF PUMPE POMPE DE CIRCULATION CIRC PUMP (SETUPS 7-14, 16)
J32	OZONGENERATOR GENERATOR OZONE OZONE GENERATOR
J33	CIRC AND OZONE LINE 1 CONNECTION J81 to J59
J40	TV / AV
J5, J8	IR RECEIVER
J5, J8	AUX PANEL(S) - AX10, AX20, AX30, AX40



J43 TO J13 (BLOWER ON J14)  
 IN SETUPS 3, 5, 9, 11, 12, 17, 18



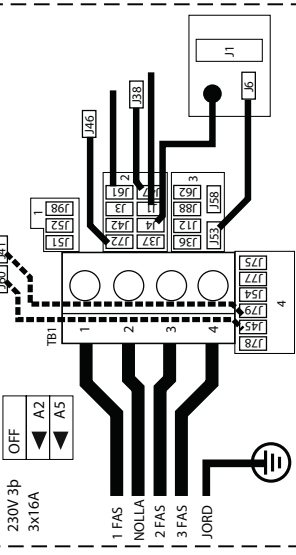
\*\*J14 (AUX) IS:  
 2-SPEED PUMP 2 IN SETUPS 2-4, 7-10, 15, 16  
 1-SPEED PUMP 2 IN SETUPS 5, 6, 11-14  
 1-SPEED BLOWER IN SETUPS 3, 5, 9, 11, 12, 17, 18



‡ OPTIONAL BP2X-WIRE KIT PN 30893

TEST MODE OFF	A1	TEST MODE ON
DON'T ADD 1 HS PUMP W/HTR	A2	ADD 1 HS PUMP WITH HEAT
DON'T ADD 2 HS PUMPS W/HTR	A3	ADD 2 HS PUMPS WITH HEAT
DON'T ADD 4 HS PUMPS W/HTR	A4	ADD 4 HS PUMPS WITH HEAT
SPECIAL AMPERAGE RULE A	A5	SPECIAL AMPERAGE RULE B
STORE SETTINGS*	A6	MEMORY RESET*
1 MIN HTR COOLDOWN (ELEC)	A7	5 MIN HTR COOLDOWN (GAS)
NOT ASSIGNED	A8	NOT ASSIGNED
NOT ASSIGNED	A9	NOT ASSIGNED
NOT ASSIGNED	A10	NOT ASSIGNED

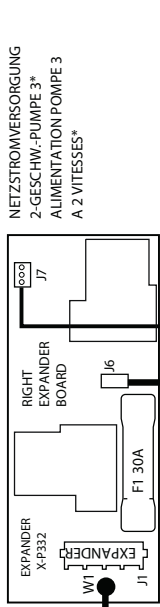
\*SWITCH # 6 SHOULD BE SET TO OFF UPON FINAL INSTALLATION.



TP (MAIN) PANELS  
 J34 OR J35



LOCATION	DEVICE	VOLTS	AMPS	FROM	TO
J1 ON RT EXPANDER	2 SPD* PUMP 3	230V	12A	WI ON EXPANDER	GROUP 2 J6 ON EXPANDEF J53



\*EXPANDER BOARD IS:  
 2-SPEED PUMP 3 IN SETUPS 1, 7  
 1-SPEED PUMP 3 (ONLY) IN SETUPS 2, 6, 8, 13, 14  
 1-SPEED PUMP 3 AND 1-SPEED BLOWER (WITH SPLITTER & IN-LINE FUSE) IN SETUPS 15, 16  
 1-SPEED PUMP 2 AND 1-SPEED PUMP 3 IN SETUPS 5, 11, 12  
 1-SPEED PUMP 2 IN SETUPS 3, 9  
 1-SPEED PUMP 2 IN SETUP 17, 18  
 UNUSED IN SETUPS 4, 10